

**Automotive
Products**

RW4 PLUS

Professional
Transponder Key Duplicator



The RW4 PLUS is a performance packed, stand-alone cloning device that is designed for the professional. It is compact, portable and does not require a PC, internet connection or additional software.

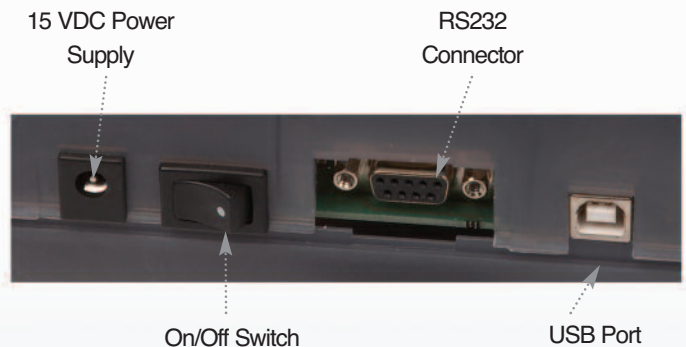
The  to your success

 A member of the Kaba Group
www.kaba-ilco.com

RW4 PLUS Professional Transponder Key Duplicator

Designed for professional use, the RW4 PLUS lets you take control of Texas Instruments (TI) and Philips encrypted code and fixed code transponder keys. When the RW4 PLUS is utilized in conjunction with Ilco® electronic keys, you can eliminate the two master (original) key requirements for “on-board” programming. It is a stand-alone device with no PC, internet connection or additional software required.

- Clones TI and Philips encrypted code and fixed code (T2, T5) transponder keys
- Identifies presence of a transponder and indicates chip type, value and manufacturer
- Code Generation Capable
- Software updates are based on new vehicle information & technology
- Free updates for one year from purchase
- Archiving Function
- 12V DC adapter included for “on the road” services
- Compact, lightweight and portable
- Built in “soft touch” key pad
- Multiple language support
- Easy to read LCD screen



Specifications:

Dimensions: 9½”W X 6½”D X 3¼”H
(24.1 cm X 16.5 cm X 8.26 cm)

Weight: .61 lbs (.27 Kg)

Update information is supplied to owners who register their RW4 PLUS.



Kaba Ilco Corp.
400 Jeffreys Road · Rocky Mount, NC 27804
Phone 800.334.1381 · Fax 252.446.4702
www.kaba-ilco.com

Form No. 3019/0410